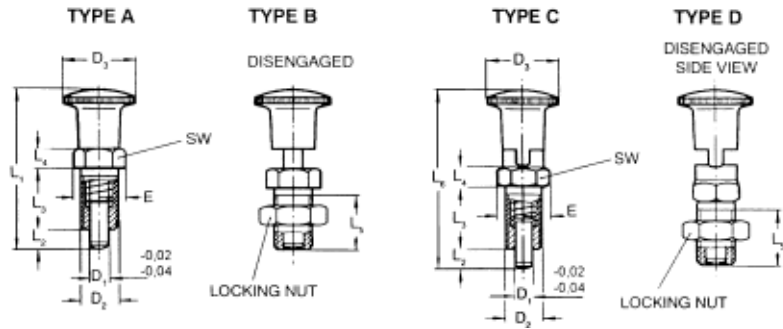


Indexing Plungers metric

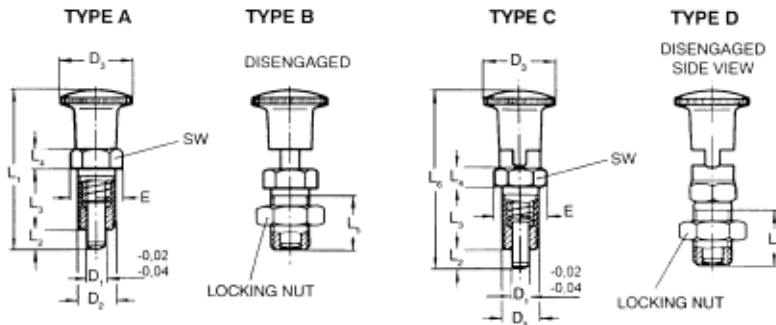


- Black matte plastic knob
- Steel parts with black oxide finish
- Plunger is hardened and precision ground

- Type A: Non-locking, without locking nut
- Type B: Non-locking, with locking nut
- Type C: Locking, without locking nut
- Type D: Locking, with locking nut

Type A PART #	Type B PART #	Type C PART #	Type D PART #	Size	d ₁	d ₂	d ₃	e	l ₁	l ₂ min.	l ₃	l ₄	l ₅	l ₆ min.	SW
3005A	3005B	3005C	3005D	5	M10 x 1	21	13,8	44	5	17	5	15	49	12	
3006A	3006B	3006C	3006D	6	M12 x 1.5	25	16,2	53	6	20	6	17	59	14	
3008A	3008B	3008C	3008D	8	M16 x 1.5	31	21,9	67	8	26	8	23	73.5	19	
3010A	3010B	-	-	10	M20 x 1.5	31	25,4	78	10	33	10	30	-	22	
3037A	3037B	3037C	3037D	.20	3/8-24	.83	.54	1.73	.20	.67	.20	.59	-	-	
3050A	3050B	3050C	3050D	.24	1/2-13	.98	.64	2.09	.24	.79	.24	.67	-	-	
3062A	3062B	3062C	3062D	.31	5/8-11	1.22	.86	2.64	.31	1.02	.31	.91	-	-	

Stainless Steel Indexing Plungers metric



- Black matte plastic knob
- Stainless steel parts
- Plunger is precision ground and nitrated

- Type A: Non-locking, without locking nut
- Type B: Non-locking, with locking nut
- Type C: Locking, without locking nut
- Type D: Locking, with locking nut

Type A PART #	Type B PART #	Type C PART #	Type D PART #	Size	d ₁	d ₂	d ₃	e	l ₁	l ₂ min.	l ₃	l ₄	l ₅	l ₆ min.	SW
3005ASS	3005BSS	3005CSS	3005DSS	5	M10 x 1	21	13,8	44	5	17	5	15	49	12	
3006ASS	3006BSS	3006CSS	3006DSS	6	M12 x 1.5	25	16,2	53	6	20	6	17	59	14	
3008ASS	3008BSS	3008CSS	3008DSS	8	M16 x 1.5	31	21,9	67	8	26	8	23	73.5	19	
3010ASS	3010BSS	-	-	10	M20 x 1.5	31	25,4	78	10	33	10	30	-	22	